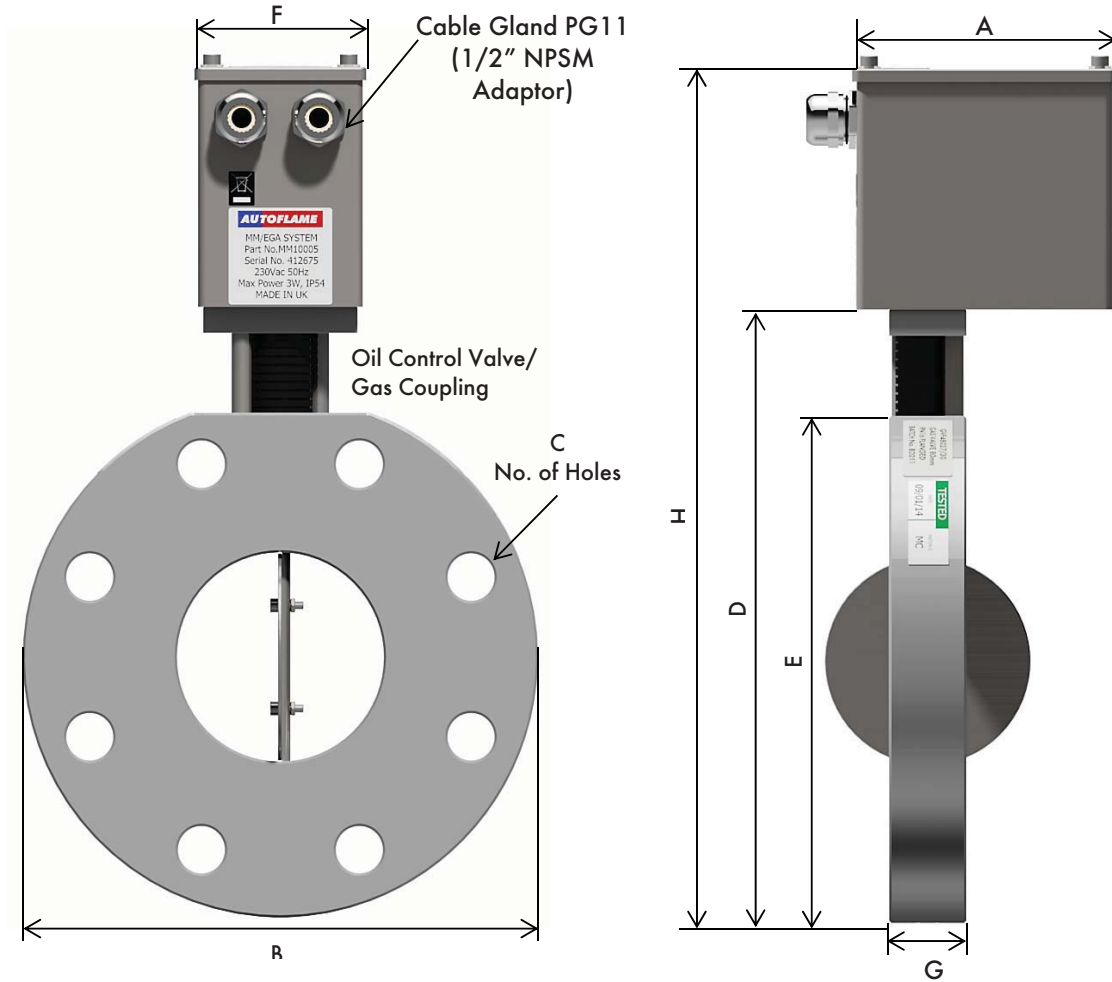


1 Valve Specifications



PART NO.	A	B	C	D	E	F	G	H	BOLTING	VALVE SIZE
GVF45028/30	100	165	4	197	157	66	30	291	M16 X 110	50 (2")
GVF46526/30	100	185	4	219	178	66	30	312	M16 X 110	65 (2.5")
GVF48027/30	100	200	8	234	194	66	30	327	M16 X 110	80 (3")
GVF410026/30	100	220	8	254	214	66	30	347	M16 X 110	100 (4")
GVF12527/30	100	250	8	285	245	66	30	378	M16 X 110	125 (5")
GVF415028/30	100	285	8	321	281	66	30	414	M20 X 110	150 (6")